

MK-B07

User Manual

Stainless Steel Baby Crib

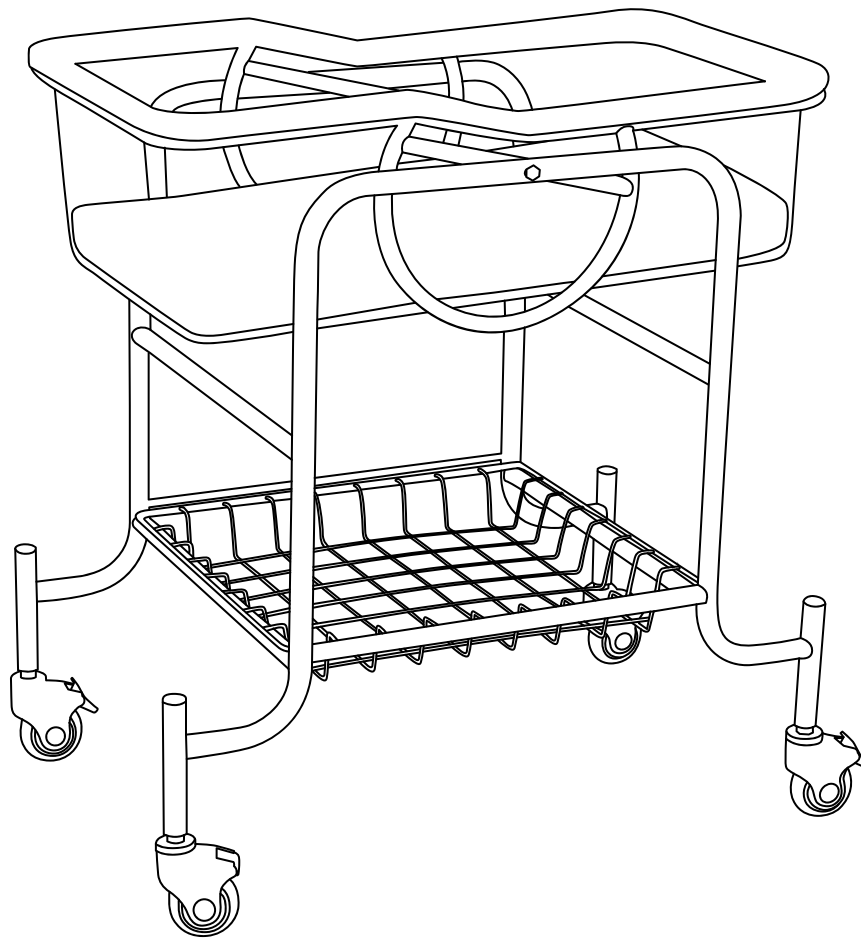


Table of contents

1.Introduction	01
2.Conditions for normal operation, storage and transportation	02
3.Main purpose and application scope	02
4.Main technical parameter	02
5.Schematic diagram of product and annotation	03
6.Precautions	03
7.Operation Methods	03
8.Accessories list	04
9.Safety Type	04
10.Maintenance	04
11.Faults analysis and solution	04
12.After-sales service.....	04

1.INTRODUCTION

— Dear Customers

Thanks for choosing our Stainless steel baby crib MK-B07. We will provide thoughtful after-sales service in the whole process of using your products. Meanwhile, we hope to get your valuable opinions to innovate the technology in the industry and better serve the treatment and nursing of patients.

MK-B07 baby crib is with stainless steel structure, appealing to the medical healthy standard.

Zhangjiagang medi medical equipment co.,ltd. will do its best to avoid printing the text or image errors, but not responsible for the possible negligence. The criterion for the goods are based on the standard of the material.

Again, thank you for selecting this Stainless Steel Baby Crib MC-B07.

2. Conditions for formal work, storage and transportation

2.1 Conditions for normal operation:

- a. Ambient temperature: 5°C~40°C
- b. Relative humidity: no more than 80%
- c. Atmospheric pressure: 70kPa-106kPa

2.2 Conditions for storage and transportation:

- d. Ambient temperature: -40°C~55°C
- e. Relative humidity: no more than 95%
- f. Atmospheric pressure: 50kPa-106kPa

3. Main purpose and application scope

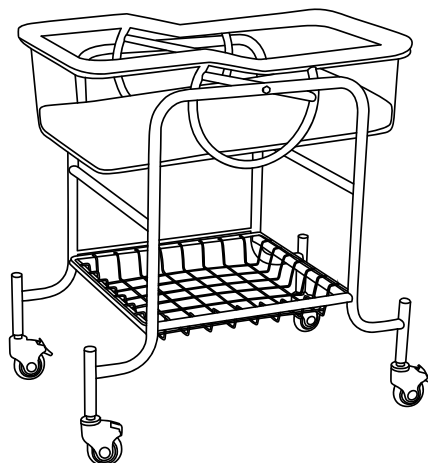
MK-B07 Stainless steel baby crib is for newborn baby care in hospital and clinic.

4. Main technical parameter

Dimension	820*500*860mm
Height	860mm
Trendelenburg	0~15°
Caster Dia	75mm
Max. Load	30kg

5. Schematic diagram of product and assembling

1. Install the four castors
2. Put the plastic bassinet
3. Put the mattress



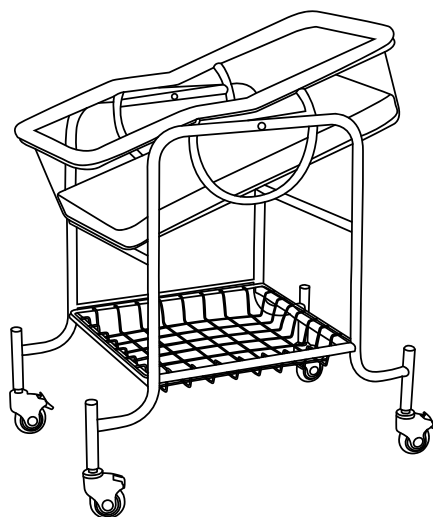
6. Precautions

6.1 All parts of the baby crib should be kept clean. Clean methods refer to **10. Maintenance**.

6.2 It should be repaired by expertise when faults occur. When it's necessary to gain services from our company, please contact your dealer or our company's service department, and be sure not to dismount and repair it at will.

7. Operation Methods

7.1 The bassinet can be moved to achieve desired angle. The innovative design of the baby carriage allows for effortless adjustment, enabling the tray to be seamlessly moved to achieve the desired angle for optimal comfort and convenience.



8. Accessories list

NO.	Name	Qty	Position
1	Foam mattress	1 pc	Accessory
2	Storage basket	1 pc	Optional

9. Safety Type

The bed belongs to anti-electroshock class B Type I equipment.

10. Maintenance

10.1 The baby crib can not be flushed by water in order to prevent leakage into the S.S. tubes. The crib can be cleaned with a piece of clean, soft cloth, and also alcohol-water blending liquid(Proportion: 3:4) can be used to achieve better cleaning effect.

10.2 The baby crib shall be stored in dry, corrosive gas free, and well-ventilated environment

11. Faults analysis and solution

Phenomena of fault	Items to be confirmed	Solution methods
Baby crib can not be moved	The castors locked or broken	Unlock the castors if locked. If broken, replace the broken ones
The side rail can not slide down	The railway in good condition or not	Confirm if the ears of the railways in proper situation

12. After-sales service

12.1 The product that is damaged or fails to normal work really due to the manufacturing product within the one year after the purchasing date will gain free spare parts and assembling drawing from our company.

12.2 Our company will provide the whole-life services

CONTACT US



Youtube



Web

Pls scan the QR code for more info

-  + (86) 139 6223 1292
-  info@medik-medical.com
info@mediksurgical.com
-  www.medik-medical.com
www.mediksurgical.com