

MK-B01

Baby Bassinet With Digital Screen



*Better care
Better comfort!*

MK-B01

/ BABY BASSINET WITH DIGITAL SCREEN

The safe and transparent bassinet material and all-inclusive shape provide safety protection for the baby while making it convenient for doctors and mothers to observe the baby. The forward and backward tilting and height adjustment can facilitate the mother to care for the baby. The digital screen can display the weight and room temperature, switch lullabies, and take care of the baby. MK-B01 can pay attention to every detail of the baby while providing convenience for caregivers.

Main Features

- Frame made from ABS material, durable and easy to clean
- Trendelenburg/Reversed trendelenburg
- Height adjustable by hydraulic system
- Adjustable handrail can be used as push handle as well as a mosquito net support
- Four noiseless swivel casters, two with brakes
- Equipped with music function, can be stored with SD card
- Weighing scale function
- Atmosphere temperature measuring
- Digital screen with touch keyboard

Technical parameter

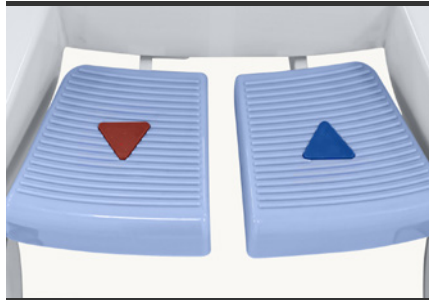
Model	MK-B01
Baby basin size	800*420mm (31.5" x 16.5")
Height adjustment	855-1045mm (33.6" - 41")
Trendelenburg	0-12°
Reversed trendelenburg	0-15°
Handrail angle	0-90°
Castor diameter	100mm (4")
Weight scale range	0-20kg(0 - 44 lbs)
Packing size(One piece in a carton)	960×560×950mm (37.7" x 19.6" x 37.5")

Main details



Trendelenburg/Reversed trendelenburg position

Trendelenburg /Reversed trendelenburg position adjusted through buckle.



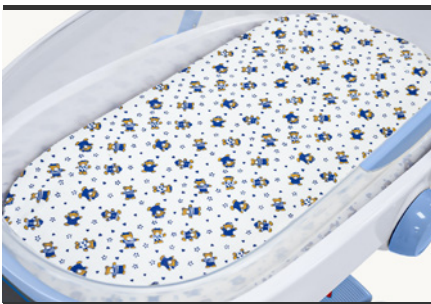
Height adjustment

Height adjusted by hydraulic foot pedal.



Digital screen

The display has three functions: weighing, music, and room temperature measurement.



Bassinet

Medical grade transparent bassinet, removable and easy to clean, with soft mattress.



Push handle

Ergonomically designed push handles on both sides of the bed.



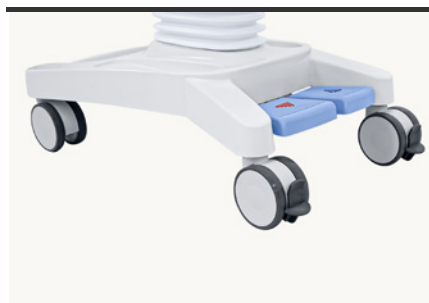
Adjustable handrail

Adjustable handrail can be used as push handles well as a mosquito net support.



Storage space

Storage space under the bassinet.



Castors

Four units of 10cm double side castors, 2 of them with brakes.

ABOUT US

Zhangjiagang Medi Medical Equipment Co.,Ltd, founded in 1995, with more than 20 years experience in developing hospital furniture, is one of the largest manufacturer of hospital bed, patient stretcher, medical cart and other related hospital furniture in China or even Asia.

Through scientific management complying with ISO9001&ISO13485, by adopting advanced facility like Germany TRUMPF CNC, Japan OTC Robot Welding, Auto-power coating line with Swiss GEMA gun , Medi focuses on providing brand quality product with CE approval.

Headquartered in Zhangjiagang nearby Shanghai, with subsidiary oversea offices in Hungary, Dubai, Thailand, New Zealand, Kenya, Colombia, Medi acting professionally and swiftly for both pre-sales and after-sales.The products are widely accepted by global clients, such as UK RIE hospital, UNIVERZITETNI KLINICNI CENTER, Kokilaben Dhirubhai Ambani Hospital, Singapore National University Hospital etc.



YOU TUBE



MEDIK

Pls scan the QR code for more info

info@medik-medical.com | +86 139 6223 1292

Medik reserves the right to make changes without notice in design, specifications and models. The only warranty Medik makes is the express written warranty extended on the sale or rental of its products.

© 2022 Medik Services, Inc. ALL RIGHTS RESERVED. APR53703 rev 1 01-JAN-2022 ENG – US